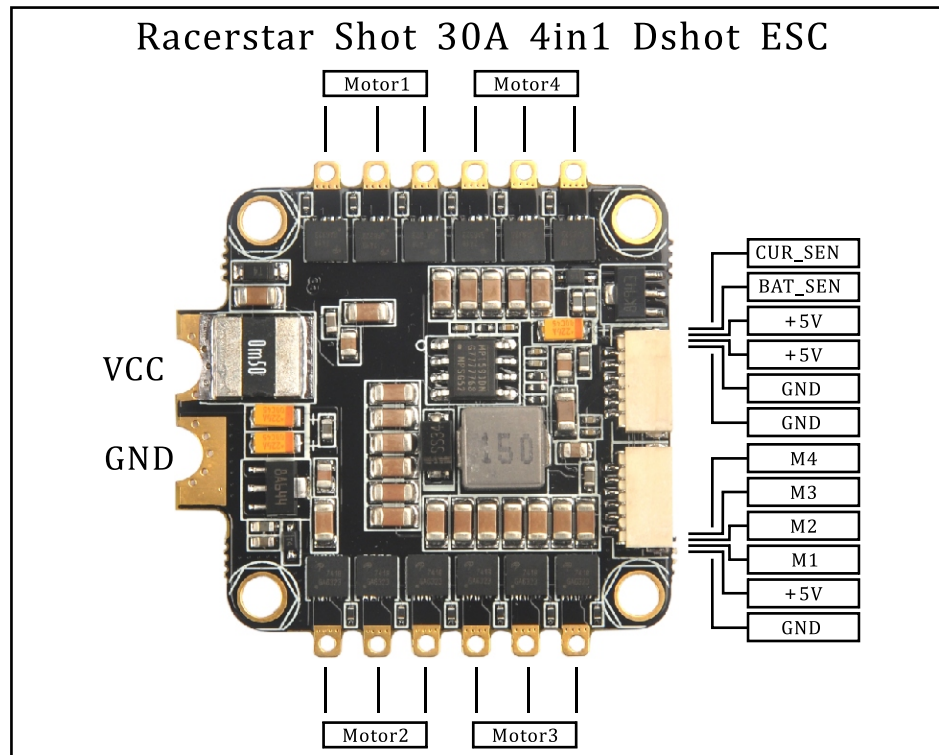


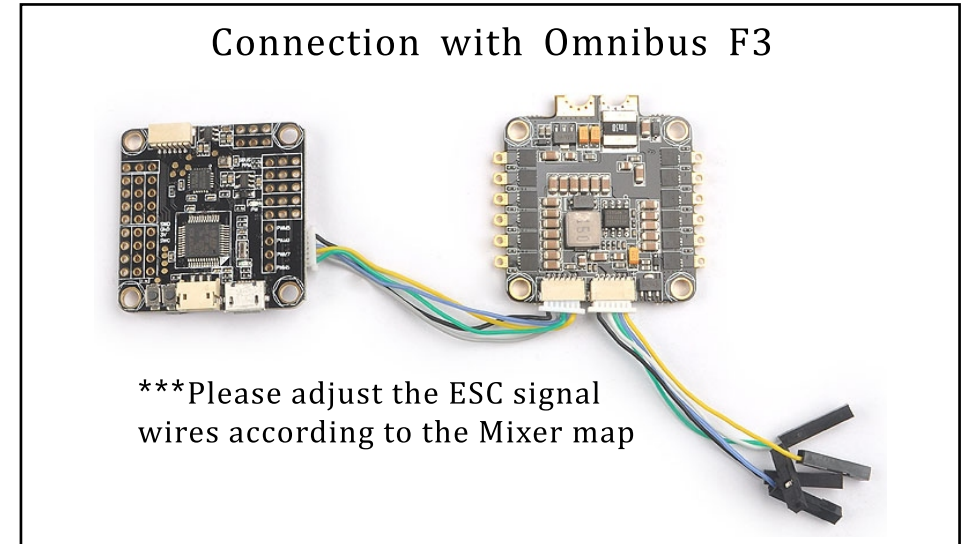
Specification:

-BB21 MCU, 48Mhz Runs BLHELI_S J_H_xx firmware
-Supports 3-6S lipo input
-4PWM input
-Continuous current: 30A
-Peak Current: 35A (10S)
-Current and Voltage sensor
-5V 3A BEC
-Only 36x36mm, mount holes 30.5x30.5mm M3
-NO External capacitors needed
-Dshot600 ready(Default)

Pin out Diagram:



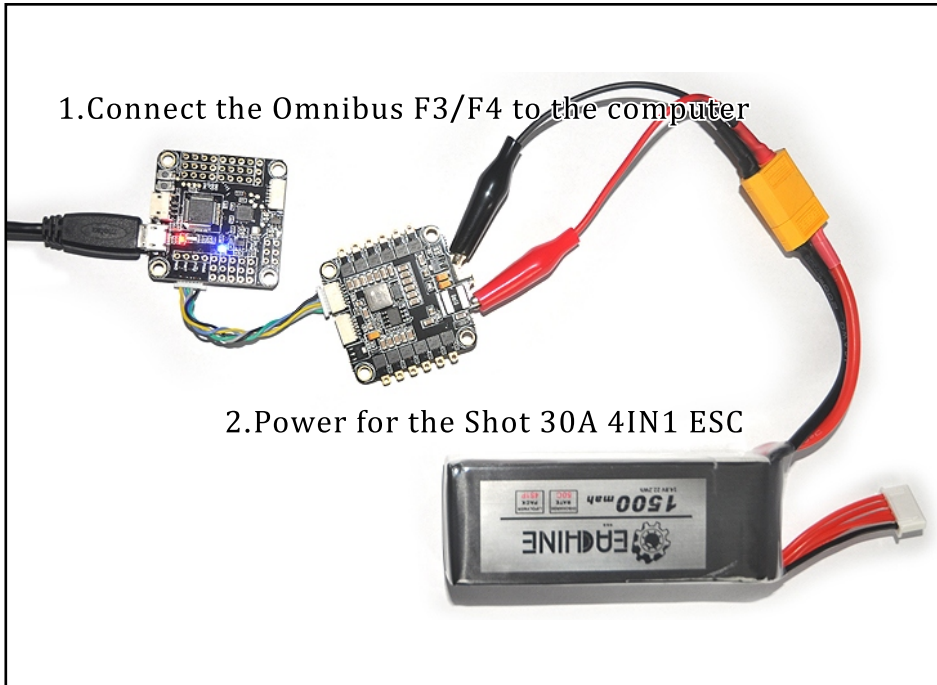
Connection with OmnibusF3 flight controller:



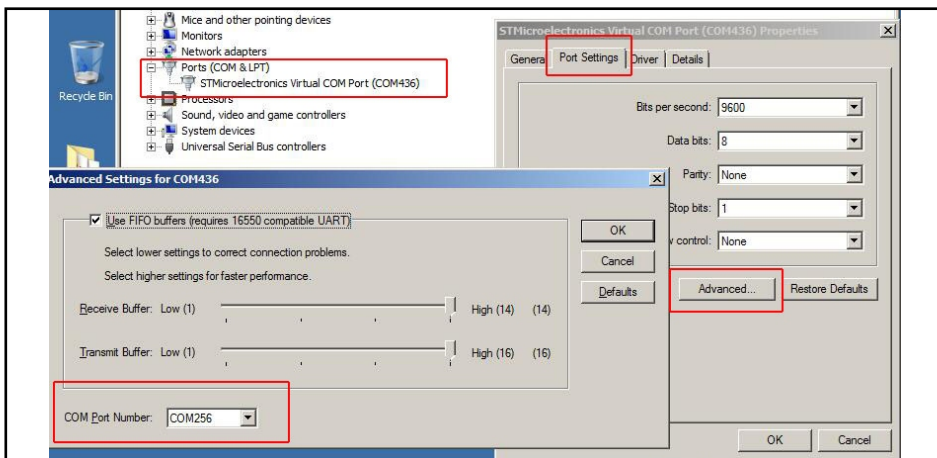
**⚠ Cautions:**  
 The M1 match motor1 ,M2 match motor2 ,M3 match motor3 , M4 match motor4  
 They are not definitions to the motor number of the quadcopter in CLEANFLIGHT or BETAFLIGHT CONFIGURATOR  
 CUR\_SEN is Current sensor connect to CURNT pin on OmnibusF3/F4 to detect current. BAT\_SEN is VBAT direct output connect to VBAT pin on Omnibus F3/F4

Software and Betaflight pass-through:

- 1.Download New release Blheli suite from:  
<https://www.mediafire.com/folder/dx6kfaasyo24l/BLHeliSuite>
- 2.Connect the Shot 30A 4in1 ESC to OmnibusF3 flight controller or OmnibusF4 Flight controller.
- 3.Connect the flight controller to computer and power for the Shot 30A 4in1 ESC



4. Open the Device Manager of your computer, find the Ports, please make sure the Com port Serial Number is under 255, otherwise it will can't connect to the BLHELISUITE. You can change the port serial number like the step :



5. Open the BLHELISUITE, Select SILABS BLHeli Bootloader (Cleanflight) from the third tab on the top side. Then Select the right Serial com port and Click connect. You can also Flash the new release BLHeli\_s firmware via the BLHELISUITE, Target J-H-XX.

